



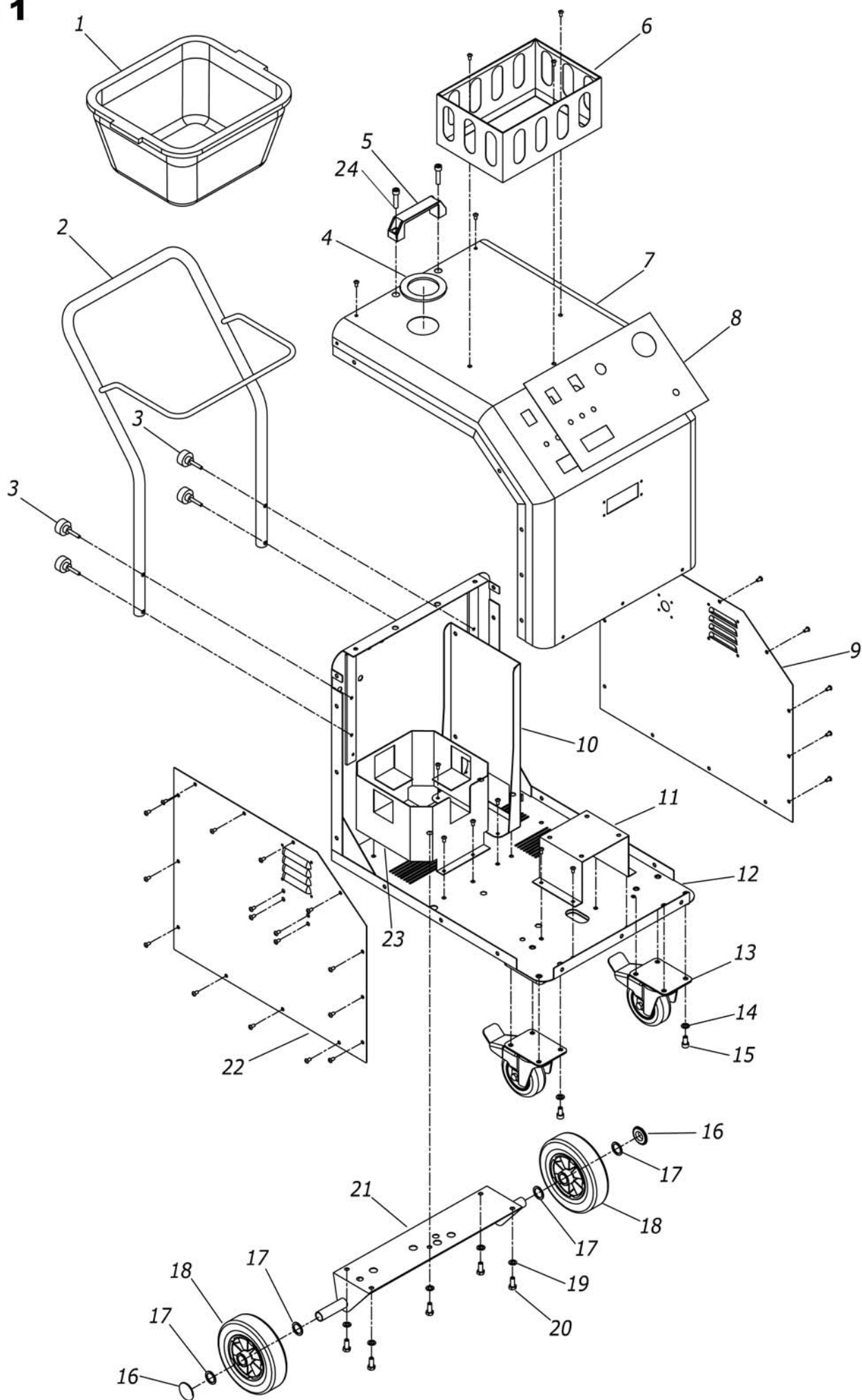
OSPREYFRANK
STEAM TECHNOLOGY

SteamForce Range
SF10
SF10 VAC



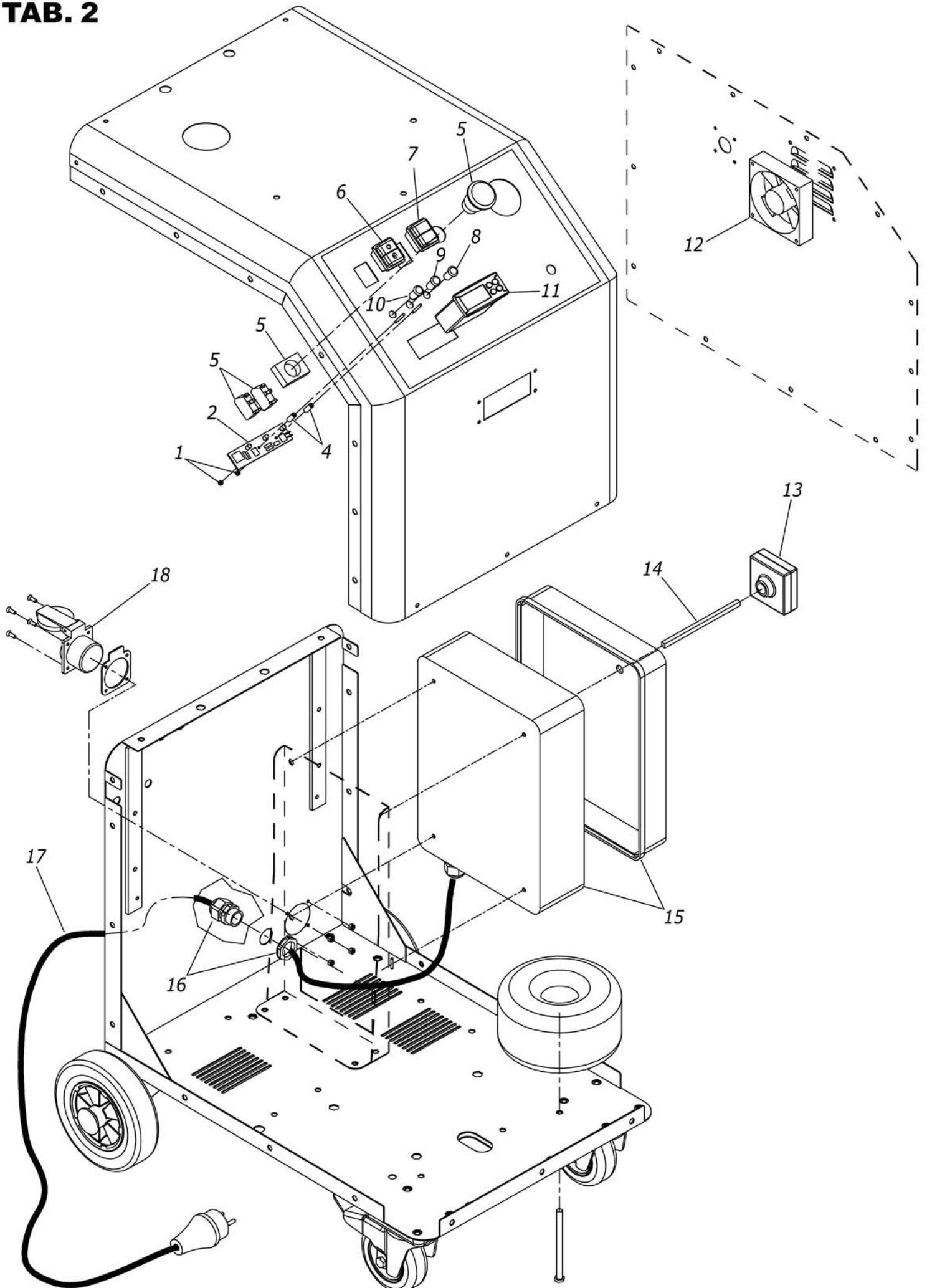
ERSATZTEILLISTE / SPARE PARTS LIST

TAB. 1



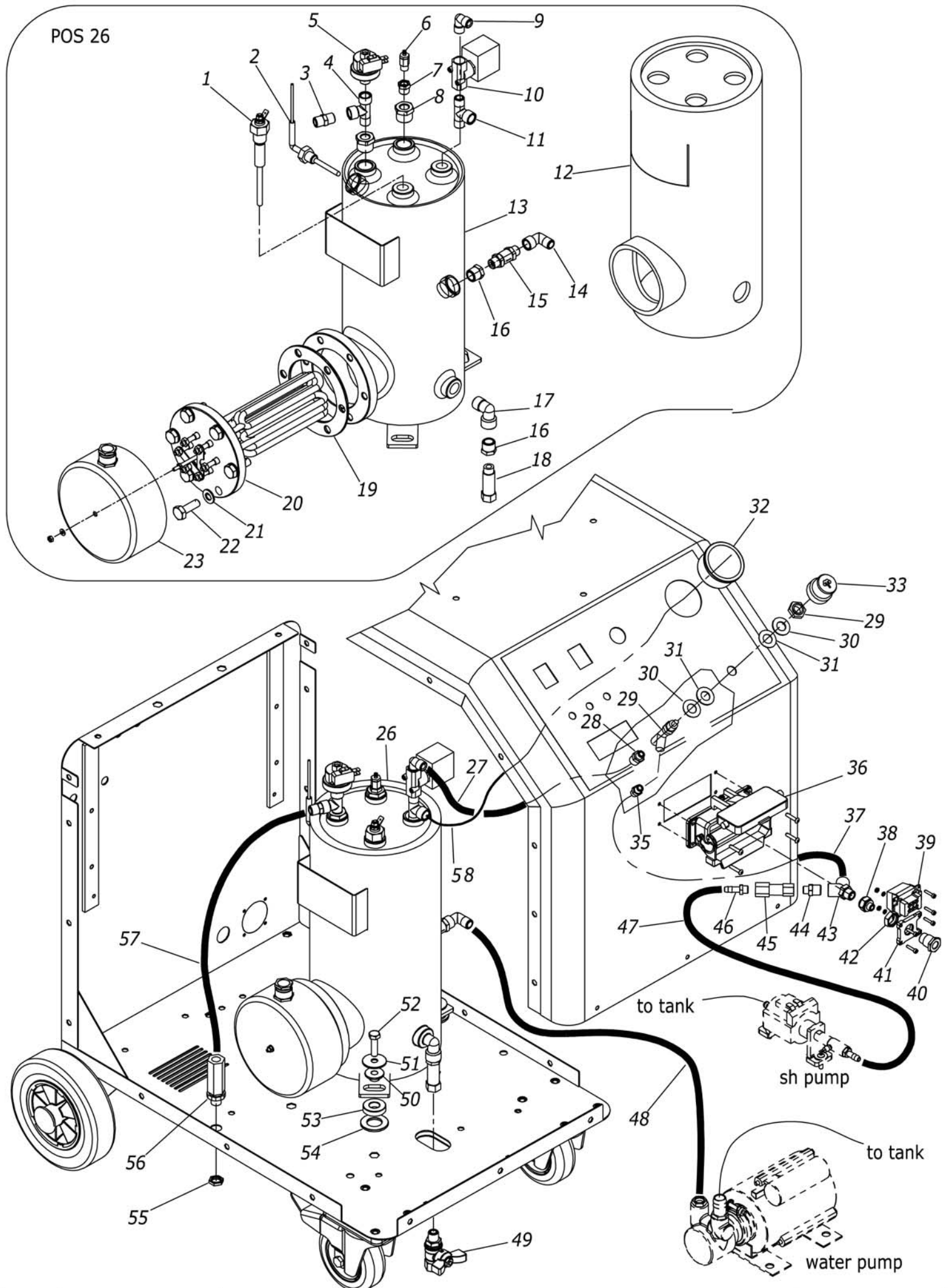
01	05/2013	TAB01	Spare Parts Drawings - Steamforce 10	Q80001331
REV	DATA	N° DOC.	DESCRIPTION	PRODUCT COD.

TAB. 2



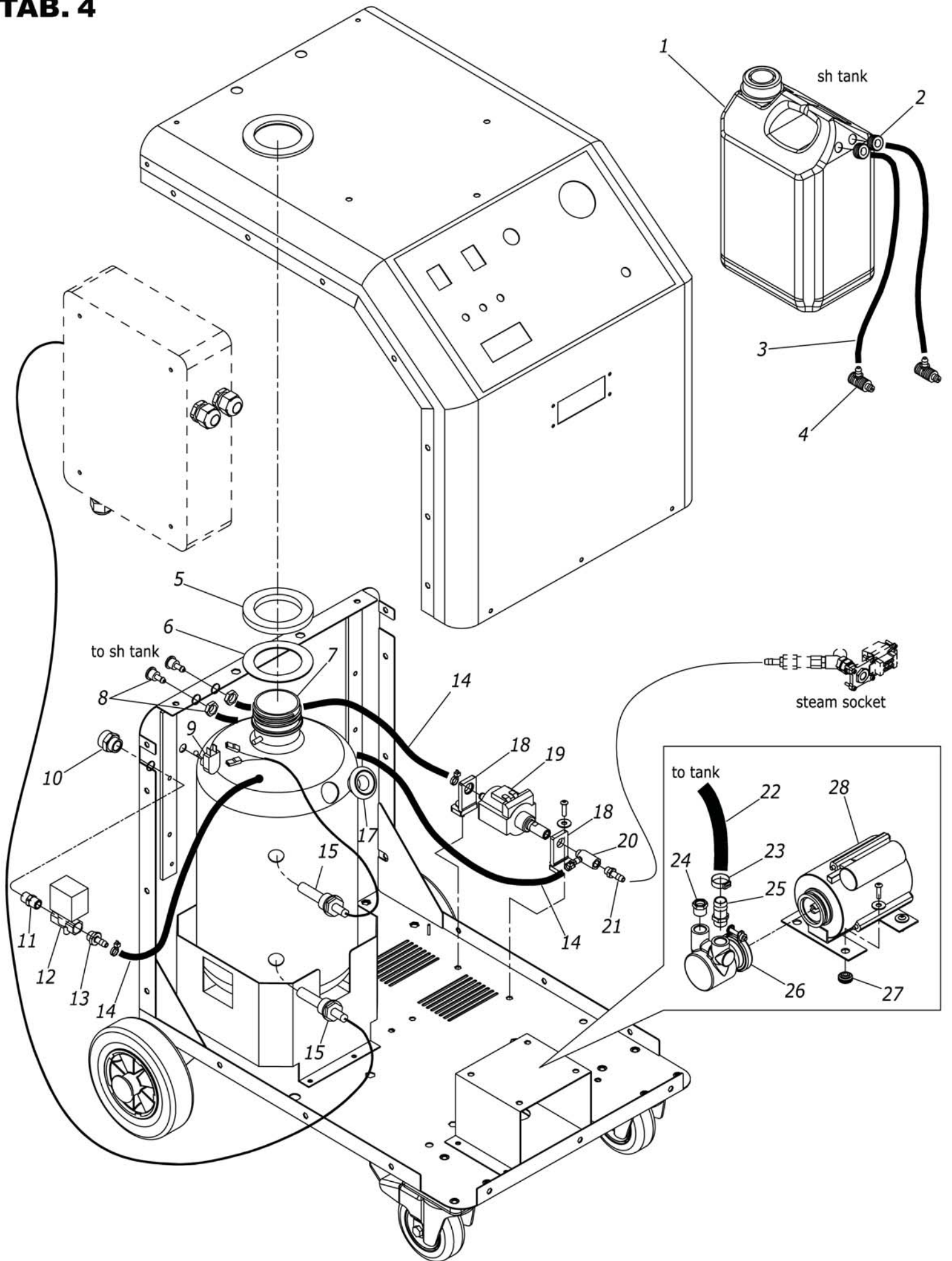
01	05/2013	TAB02	Spare Parts Drawings - Steamforce 10	Q80001331
REV	DATA	N° DOC.	DESCRIPTION	PRODUCT COD.

TAB. 3



01	05/2013	TAB03	Spare Parts Drawings - Steamforce 10	Q80001331
REV	DATA	N° DOC.	DESCRIPTION	PRODUCT COD.

TAB. 4



01	05/2013	TAB04	Spare Parts Drawings - Steamforce 10	Q80001331
REV	DATA	N° DOC.	DESCRIPTION	PRODUCT COD.

Page	Item	Part number	Description
1	1	S02157	GREY BASKET
1	2	S02158	HANDLE IND0311
1	3	S02159	HANDSCREW 69854 VCT.32P-M6X30
1	4	S02591	HOLDER DISK GASKET FOR TANK SF10
1	5	S02160	HANDLE OF COVER
1	6	S02161	BASKET FOR TANK IND0311
1	7	S02592	COVER SF10
1	8	S02593	LABEL "OSPREY FRANK"
1	9	S02594	CARTER RH SF10
1	10	S02595	HOLDER FOR COMMAND PANNEL SF10
1	11	S02596	HOLDER FOR POMP SF10
1	12	S02597	BASE SF10
1	13	S02598	WHEEL GREY 100X32 FR
1	14	S02173	WASHER 6592 INOX M8
1	15	S02599	SCREW TCCE M8X16 INOX
1	16	S02170	STARLOCK CAPPED D.20 mm.
1	17	S02171	WASHER 20X28X1.5 PS ZINCATA
1	18	S02172	GREY WHEEL VPP 160/20G-SG
1	19	S02173	WASHER 6592 INOX M8
1	20	S02174	SCREW UNI 5739 TE INOX M8X20
1	21	S02600	SF10 AXLE WHEEL
1	22	S02601	CARTER LH SF10
1	23	S02602	HOLDER FOR TANK SF10
1	24	S02603	SCREW UNI 5931 TCEI INOX M8X35
2	1	S02187	NUT LOCKING M3 INOX A2
2	2	S02186	ELECTRONIC CARD LED SEGN/COM.
2	4	S02185	CYLINDRIC SPACER
2	5	S02604	SECURITY PUSH
2	6	S02180	POWER SWITCH
2	7	S02181	SWITCH BIP. BLACK
2	8	S02183	ORANGE SC3 WITH NUT
2	9	S02182	RED SC3 WITH NUT
2	10	S02184	GREEN SC3 WITH NUT
2	11	S02605	DIG. REGULATOR33X75 MONOV.24VAC/DCV
2	12	S02606	FAN 24V 92MM
2	13	S02551	SWITCH HANDLE
2	14	S02607	METLA SHAFT L=95
2	15	S02608	BOX COVER
2	16	S02413	CABLE GLAND PG16
2	17	S02560	POWER SUPPLY CABLE AWG 4X10 USA
2	18	S02193	POWER CORD
3	1	S02544	PROBE INOX TL 30 146MM (C.6LT)
3	2	S02517	PROBE TR PT 1000 2F 6X50MMM
3	3	S02214	FITTING 2500 1/4
3	4	S02215	JOINT T 2070 1/4 1/4 M/F/F
3	5	S02317	PRESSURE SWITCH XP111 10.4BAR1/4GAS INOX
3	6	S02231	AIR VALVE VAP 1/8"C PG D=6
3	7	S02609	FITTING 2530 1/4-1/8 M/F
3	8	S02610	FITTING 2530 1/2 1/4 M/F

3	9	S02467	FITTING ELBOW OGIVE 1020 8
3	10	S02213	SOLENOID VALVE8301/3A 220/230V DN 2,8
3	11	S02506	JOINT T 2090 1/4 1/4 M/F/M (CA
3	12	S02611	INSULATION FOR BOILER 6LT TMA5
3	13	S02612	BOILER INOX MI 6LT
3	14	S02613	ELBOW FITTING (2020 1/4 - 1/4)
3	15	S02473	VALVE ONE WAY 1/4M -1/4M OT
3	16	S02510	FITTING REDUCTION 2530 3/8-1/4 M
3	17	S02538	FITTING 2020 3/8 3/8
3	18	S02539	FITTING F-M 1/4X1/4- 43
3	19	S02524	GASKET GRAFTEC 49 D.130X89X3
3	20	S02614	HEATING RESISTANCE 3EL FL13 10KW 230/400V
3	21	S02532	SCREW UNI 5739 TE INOX 10X30
3	22	S02167	WASHER PLANE 6592 INOX M10
3	23	S02615	ELEMENT PROTECTION CARTER
3	26	S02616	BOILER COMPLETE SF10
3	27	S02617	TUBO WHT TREC.INOX/POL L=0,60M MF
3	28	S02618	FITTING 1/8X1/4
3	29	S02199	TAP "T" G1/8F-G1/8F
3	30	S02197	WASHER D.13-25 SP.0,8 MM.
3	31	S02198	RUBBER WASHER INS. D.13-25 SP.1,5
3	32	S02195	PRESSURE GAUGE 0-12 D.50 G 1/4
3	33	S02619	STEAM KNOB ADJUSTMENT
3	35	S02493	FITTING 2020 1/8 1/8 M/F
3	36	S02203	HOUSING
3	37	S02620	TUBO WHT TREC.INOX/POL L=0,380 MF
3	38	S02621	FITTING 1/8X1/4
3	39	S02207	SOCKET CNF 06 RY 6 POLI 180
3	40	S02208	STEAM SOCKET JOINT BRASS ES.19X24MMFIL
3	41	S02209	PLATE FOR ILME SOCKET
3	42	S02210	NUT STEAM FITTING OT 19X6.5MM
3	43	S02211	FITTING Y 2040 1/4 1/4 M/F/F
3	44	S02228	FITTING 2510 1/8-1/4
3	45	S02227	AIR VALVE 6377
3	46	S02200	HOSEFITTING COPPER 1/8 CONICO
3	47	S02204	HOSE SILICONE 5X10 (mt)
3	48	S02622	TUBO WHT TREC.INOX/POL L=0,60M MF
3	49	S02540	STEAM TAP REGULATOR
3	50	S02222	TEFLON WASHER
3	51	S02535	WASHER 6593 8.6x31,5x2 INOX
3	52	S02534	SCREW UNI 5739 TE INOX M8X30 (EX 8
3	53	S02218	WASHER TEFLON BLACK SPES.BOILER D,14X30X8
3	54	S02330	WASHER INS. 21,5X36X3
3	55	S02220	NUT 1253 1/4 LOW PROFILE
3	56	S02219	PRESSION VALVE 551 12BAR
3	57	S02204	HOSE SILICONE 5X10 (mt)
3	58	S02623	PRESSURE GAUGE CAPILLARY 2X4 L=50CM 1/
4	1	S02240	TANK POLITENE LT 5 TA80
4	2	S02241	SILICON HOLDER D.10
4	3	S02242	SILICON TUBE 5X10

4	4	S02243	FITTING CONNECTION
4	5	S02624	PROTEZ EST TANICA SF10 D62 D89 S4
4	6	S02625	GASKET TANK SF10
4	7	S02626	TANK 10LT
4	8	S02251	FITTING
4	9	S02627	PUSH 5A ON-OFF
4	10	S02628	JOINT 2553 3/8 1/2 F/F
4	11	S02214	FITTING 2500 1/4
4	12	S02213	SOLENOID VALVE8301/3A 220/230V DN 2,8
4	13	S02205	FITTING 2601 7-1/4
4	14	S02629	SILICON TUBE 5X10
4	15	S02630	LEVEL PROBE
4	16	S02494	HOSE SILICONE TRASP. D.4X8 L=530MM
4	17	S02499	CABLE GLAND NEOPR. DV18/25 51X2
4	18	S02249	CLAMP steel 23,5 (ART.6529)
4	19	S02248	WATER PUMP 230V/50HZ
4	20	S02247	RELIEF VALVE S22
4	21	S02200	HOSEFITTING COPPER 1/8 CONICO
4	22	S02501	HOSE PVC TRASP ARMORVIN MM16
4	23	S02484	CLAMP steel 23,5 (ART.6529)
4	24	S02510	FITTING REDUCTION 2530 3/8-1/4 M
4	25	S02505	FITTING TUBE ADAPT. CROM (2601 17
4	26	S02631	PUMP 60 L/H -NO BP-VITO
4	27	S02241	SILICON HOLDER D.10
4	28	S02488	MOTOR 230 V 120 W
5	1	S02632	TRAFO SF10 4 PIN
5	2	S02633	GROUND TERMINAL BLOCK
5	3	S02634	RELAY 24V AC
5	4	S02547	TERMINAL BLOCK 4MMQ
5	5	S02635	CONTACTOR 11BF26 00230
5	6	S02636	PORTAFUS SEZ 3X10X38 32A 690V
5	7	S02545	MAIN SWITCH 40 A
5	8	S02637	TERMINAL BLOCK 10 MMQ
5	9	S02190	ELECTRONIC BOARD 230V 2V6
5	10	S02547	TERMINAL BLOCK 4MMQ
5	11	S02638	DOUBLE TERMINAL BLOCK
5	12	S02639	SOLENOID SOCKET B12

